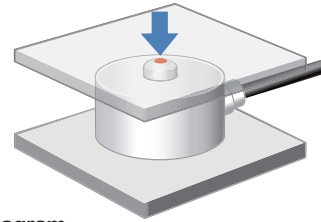




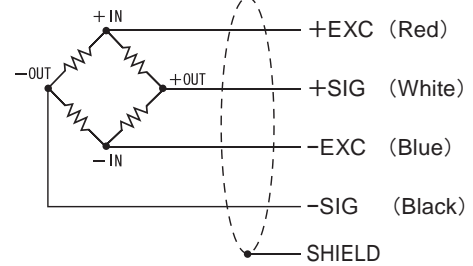
Specifications

| Model | UNGS-1KN, UNGS-2KN, UNGS-5KN, UNGS-10KN, UNGS-20KN | |
|--------------------------------|---|------------|
| Rated capacity | 1k, 2k, 5k, 10k, 20k | N |
| Rated output | 2±1% | mV/V |
| Safe overload | 150 | %R.C. |
| Maximum safe overload | 200 | %R.C. |
| Zero balance | ±5 | %R.O. |
| Non-linearity | 0.15 | %R.O. |
| Hysteresis | 0.1 | %R.O. |
| Repeatability | 0.1 | %R.O. |
| Compensated temperature range | -10 to +60 | °C |
| Safe temperature range | -20 to +80 | °C |
| Temperature effect on zero | 0.1 | %R.O./10°C |
| Temperature effect on span | 0.1 | %R.O./10°C |
| Input resistance | Approx. 400 | Ω |
| Output resistance | Approx. 350 | Ω |
| Recommended excitation voltage | 12 or less | V(AC,DC) |
| Maximum excitation voltage | 20 or less | V(AC,DC) |
| Insulation resistance (DC50V) | 2000 or more | MΩ |
| Cable | φ6 4 conductor shield cable 3m | |
| Load cell material | Stainless steel | |

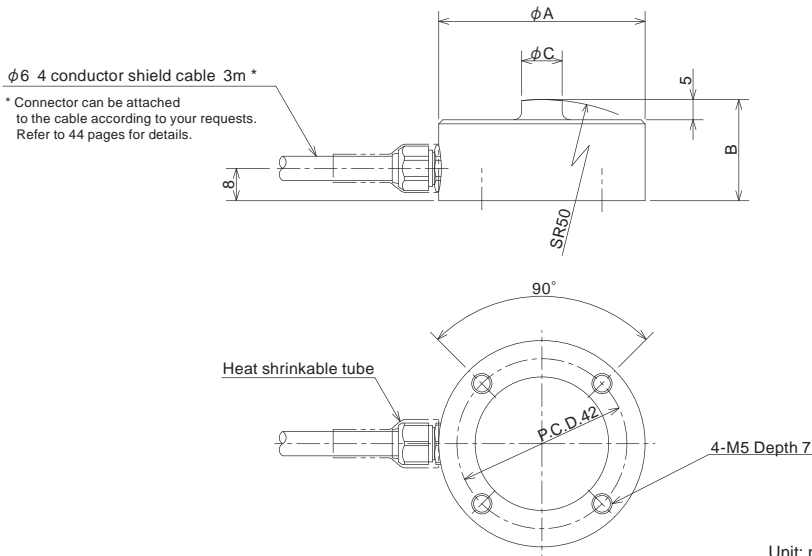
Application Example



Wiring Diagram



External dimension



Unit: mm

| Model | Deflection at rated | Natural frequency | Weight | φA | B | φC |
|-----------|---------------------|-------------------|--------|----|----|----|
| UNGS-1KN | 0.10mm | 6kHz | 0.33kg | 51 | 25 | 10 |
| UNGS-2KN | | 8kHz | | | | |
| UNGS-5KN | | 13kHz | | | | |
| UNGS-10KN | | 16kHz | 1kg | | | |
| UNGS-20KN | | 23kHz | | | | |